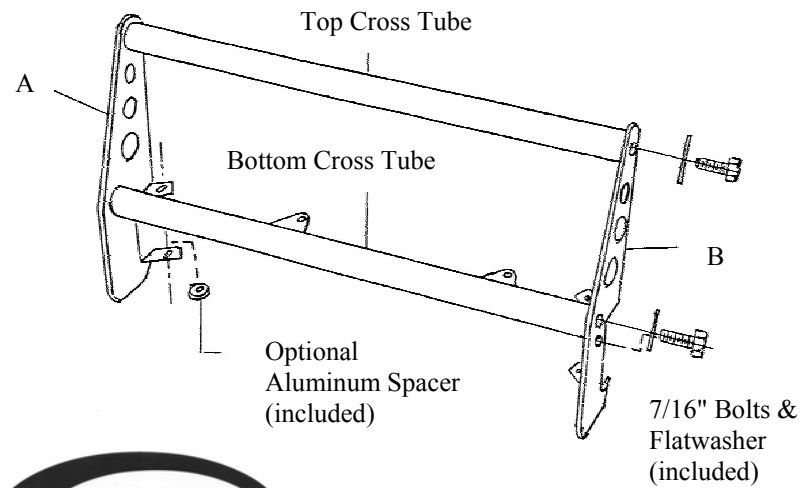


## INSTALLATION INSTRUCTIONS

### Part No. 30418 & 30443 Brush Guard

1. Remove the existing four bumper bolts. **DO NOT** remove bumper.
2. Mount side plates A and B on the bumper, using four bumper bolts.
3. **NOTE:** If you are using a Kentrol bumper, you must use the aluminum spacers on the bottom side of the bumper, between the bumper and side plate of the brush guard. **DO NOT** tighten bolts at this time.
4. Put the top cross tube in place and start the 7/16" bolt on the end of side plate A. Repeat for side plate B. Snug the bolts but **DO NOT** tighten.
5. The bottom cross tube can now be placed in position and bolted to the side plates.
6. There are two holes on each side plate for the bottom cross tube. Choose the best position for your application. Start the 7/16" bolts in each end.
7. With all bolts started and in position, tighten the bolts in the side plates, then tighten the four bumper bolts.

**Note: We Recommend that you use anti-sieze on all threads of the stainless bolts provided with your parts.**



## INSTALLATION INSTRUCTIONS

### Part No. 30418 & 30443 Brush Guard

1. Remove the existing four bumper bolts. **DO NOT** remove bumper.
2. Mount side plates A and B on the bumper, using four bumper bolts.
3. **NOTE:** If you are using a Kentrol bumper, you must use the aluminum spacers on the bottom side of the bumper, between the bumper and side plate of the brush guard. **DO NOT** tighten bolts at this time.
4. Put the top cross tube in place and start the 7/16" bolt on the end of side plate A. Repeat for side plate B. Snug the bolts but **DO NOT** tighten.
5. The bottom cross tube can now be placed in position and bolted to the side plates.
6. There are two holes on each side plate for the bottom cross tube. Choose the best position for your application. Start the 7/16" bolts in each end.
7. With all bolts started and in position, tighten the bolts in the side plates, then tighten the four bumper bolts.

**Note: We recommend that you use anti-sieze on all threads of the stainless bolts provided with your parts.**

