



INSTALLATION INSTRUCTIONS

PART No. 30447

MODEL No.

Step Cover

Tools Required:

QTY	Description:
1	¼" or 3/8" Drive Ratchet
1	¼" or 3/8" Drive Torx T-27 Socket
1	10mm Wrench
1	Phillips Head Screwdriver
1	7/16" Flat Wrench
1	Electric Drill
1	5/16" Drill Bit

Instructions:

Remove existing plastic cover using your ratchet and T-27 Torx socket. Pull cover up toward top of vehicle and pull out.

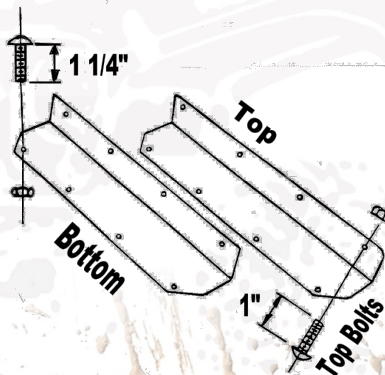
NOTE: The nuts for the four bolts are on the inside of the vehicle under the carpet. The nuts for the bottom four bolts are under the side step.

Place the Stainless Steel step cover in position. Align and mark the bottom four mounting hles. Remove cover and drill the four holes on each side.

Place cover in position and bolt securely in place using bolts provided.

Before applying anti skid material, clean the step with a wax and grease remover.

Place anti skid material in place on step, mark with a magic marker. Peel off the pressure sensitive backing and carefully apply the anti skid strip to the step.



INSTALLATION INSTRUCTIONS

PART No. 30447

MODEL No.

Step Cover

Tools Required:

QTY	Description:
1	¼" or 3/8" Drive Ratchet
1	¼" or 3/8" Drive Torx T-27 Socket
1	10mm Wrench
1	Phillips Head Screwdriver
1	7/16" Flat Wrench
1	Electric Drill
1	5/16" Drill Bit

Instructions:

Remove existing plastic cover using your ratchet and T-27 Torx socket. Pull cover up toward top of vehicle and pull out.

NOTE: The nuts for the four bolts are on the inside of the vehicle under the carpet. The nuts for the bottom four bolts are under the side step.

Place the Stainless Steel step cover in position. Align and mark the bottom four mounting hles. Remove cover and drill the four holes on each side.

Place cover in position and bolt securely in place using bolts provided.

Before applying anti skid material, clean the step with a wax and grease remover.

Place anti skid material in place on step, mark with a magic marker. Peel off the pressure sensitive backing and carefully apply the anti skid strip to the step.

