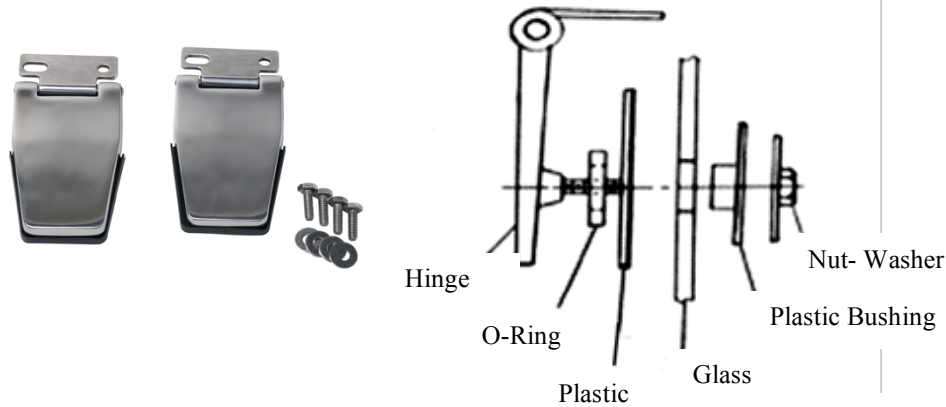




INSTALLATION INSTRUCTIONS

PART No. 30516 & 50516

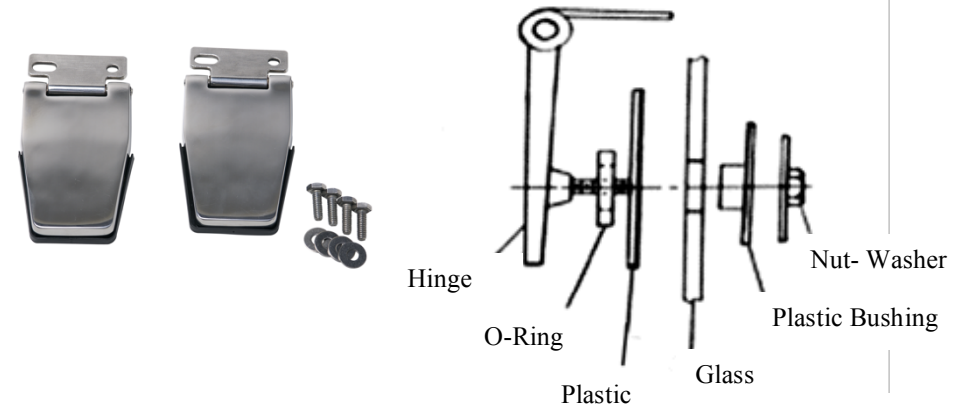
MODEL No.



INSTALLATION INSTRUCTIONS

PART No. 30516 & 50516

MODEL No.



Install one side at a time beginning with the driver side.
The driver side has the short stud on the inside.
Remove the existing driver side at the glass area first then remove the two bolts holding the hinge to the hardtop.

Install the Stainless driver side hinge, to the glass first then to the hardtop using the fasteners provided with the kit.

Remove the wiper motor cover then remove the passenger liftgate hinge. Install the passenger side Stainless hinge. Close the liftgate and check to make sure it will close properly. Make any necessary adjustments at this time.

Install one side at a time beginning with the driver side.
The driver side has the short stud on the inside.
Remove the existing driver side at the glass area first then remove the two bolts holding the hinge to the hardtop.

Install the Stainless driver side hinge, to the glass first then to the hardtop using the fasteners provided with the kit.

Remove the wiper motor cover then remove the passenger liftgate hinge. Install the passenger side Stainless hinge. Close the liftgate and check to make sure it will close properly. Make any necessary adjustments at this time.